



HANNO

浙江恒诺阀门制造有限公司
ZHEJIANG HENGNUO VALVE MANUFACTURING CO.,LTD.

浙江恒诺阀门制造有限公司

ZHEJIANG HENGNUO VALVE MANUFACTURING CO.,LTD.

地址：浙江省丽水市碧湖工业园联合街801号

电话：0578-2986666

传真：0578-2967666

ADD: No.801 Lianhe Street, Bihu Industrial

Zone, Lishui, Zhejiang, China

Tel: 0086-578-2986666

Fax: 0086-578-2985666

[Http://www.hannovalve.com](http://www.hannovalve.com)

[Http://www.hannovalves.com](http://www.hannovalves.com)

Email:sales@hannovalve.com



企业简介

浙江恒诺阀门制造有限公司是一家中外合资的阀门制造公司，集生产、研发、销售，服务于一体。公司位于浙江丽水碧湖工业园，厂区占地面积15000m²。现有员工100余名，高级技术人员20余名。公司拥有先进的加工中心、数控车床、铣床、大型精密立车、自动化涂装流水线等生产设备，和无损探伤、光谱分析、理化测试、壁厚测试、低温冲击测试等检测设备。公司主导产品有闸阀、截止阀、止回阀、蝶阀、球阀、电站阀等300多个系列。产品主要采用GB、API、DIN、GOST、ANSI、BS、JIS等国内外先进标准设计制造。压力等级为1.0Mpa-32.0Mpa、class150-class2500、规格15mm-1200mm，1/2"-48"，产品主要材料有WCB(A105)、WC6(F11)、LCB(LF2)、LC1、CF8(SS304)、CF8M(SS316)、CF3(304L)、CF3M(316L)、CN7M(20#合金)、Monel等。

恒诺阀门已广泛应用于石油、化工、电力、冶金、制药、供水、燃气、建筑等行业。产品远销欧洲、美洲、中东、非洲、东南亚等国家和地区。多年来本公司坚持以市场为导向，以科技求发展，产品质量稳定，深受广大用户的好评。

恒诺阀门始终坚持以质量求生存，以诚信求发展，不断优化产品结构和技术创新。公司荣获ISO9001国际质量管理体系认证、ISO14001环境管理体系认证、美国石油学会API6D认证、欧共体CE认证、中华人民共和国特种设备制造许可认证(TS)等。这一系列的质量保证体系，体现了恒诺阀门的制造实力，塑造了恒诺阀门的品牌形象。

"持之以恒，千金一诺"，恒诺阀门将追求持续改进质量，不断提高管理水平，为客户提供更多更好的优质的产品和满意的服务，与社会各界人士携手并进、共创辉煌。



ABOUT HANNO

Zhejiang Hengnuo Valve Manufacturing CO.,LTD is a Sino-Foreign joint-venture valve manufacturing company, integrating r&d, production, sales and service as a whole. Hengnuo Valve is located in Bihu Industrial Zone, Lishui, Zhejiang Province. The production area is 15000m². Hengnuo Valve have more than 100 staff members, Senior technicians more than 20 people. Hengnuo Valve owns the advanced processing centers, CNC lathes, CNC milling machines, large precise vertical lathes, automation coating assembly production equipments and so on, and we own nondestructive flaw detection and spectral analysis, physics-chemistry testing and wall thickness testing, low-temperature impact test testing equipments and so on.

Hengnuo Valve main products include gate valves, globe valves, check valves, butterfly valves, ball valves, power station valves and more than 300 series valves, etc. Products mainly adopts API, DIN, ANSI, BS, GOST, JIS, GB such as the foreign and domestic advanced standards in design and manufacture. Pressure levels of 1.0 Mpa - 32.0 Mpa, class150 - class2500, specifications, 15mm-1200mm, 1/2" - 48", the materials have WCB(A105)、WC6(F11)、LCB(LF2)、LC1、CF8(SS304)、CF8M(SS316)、CF3M(316L)、CN7M(20# alloys)、Monel, etc.

Hengnuo Valves have been widely used in petroleum, chemical, electric power, metallurgy, pharmacy, water, gas, construction and other industries. The products are sold well in Europe, America, The Middle East, Africa, The Southeast Asia and other countries and regions. Hengnuo Valve adhere to market-oriented, science & technology to promote development. Hengnuo Valves have good quality, stable performance, and the widespread praise users.

Hengnuo Valve always adhere to Survive by Quality, Develop by Credibility, constantly optimize structure of products and technological innovation. Hengnuo Valve has won ISO9001 International quality system certification, ISO14001 Environmental system certification, API6D American petroleum institute certification, the European CE certification, TS China special equipment manufacture license certification, etc. These series of quality assurance system, which reflect the Hengnuo Valve manufacturing strength, build Hengnuo Valve brand image.

The purpose of Hengnuo Valve is "Honesty is fundamental, Quality is supreme, Customer is highest". Hengnuo Valve continue to innovate, produce high-quality products, and with the best services to meet the demands of customers.



Enterprise Qualification 企业资质



Work Place 办公场所

我们拥有现代化的办公场所和办公设施,建有科学的企业管理制度和严格的质量控制体系。下设行政部、财务部、采购部、生产部、质检部、市场部、发货部等部门,并有着遍布全国各地的合作关系和业务网络。

We have modern office and facilities, scientific enterprise management system and strict quality control system. Administration dept, Finance dept, Purchasing dept, Production dept, Quality control dept, Marketing dept, Shipping dept. Also we have business networks and partners all over the country



Production Equipment 生产装备

精良的加工设备，可靠的质量保证。先进的检测设备，一丝不苟的检测手段，确保产品的稳定和可靠。细致是监测产品质量的保证。不让质量问题损害我们的品牌是我们的宗旨。有序的生产程序，有效的工作效率是取胜于一切的必要基础。

Advanced processing equipment, reliable quality assurance best inspection equipment, conscientions to sting measures, mack ingassurance of the stability and reliability of our products. Meticulous monitoring is the assurance of product quality. We never allow quality defect injuring our brand. Orderly production process and effective working efficiency are quite crucial for making success.

每天前进一步，永远真诚服务，我们时刻准备着为您提供最为满意的服务。
Go forward one step every day, sincerely provide services forever. We are ready all the time to provide you with the most satisfactory services.

[Http://www.hannovalve.com](http://www.hannovalve.com)
[Http://www.hannovalves.com](http://www.hannovalves.com)



Well-designed Diligently Detection 精心设计 用心检测

科学技术是第一生产力，科学技术也是企业的核心竞争力，不断加强核心技术的研发和创新，不断追求卓越，精益求精，以先进的生产设备，严格的质量管理，保证每一款产品的优良性能。生产工具是生产力发展水平的标志，先进的生产设备代表了先进的生产力。恒诺积极引进的技术和生产设备，使产品内在品质与外在个性化紧密结合，完全满足并引领工业现代化的需求。

Science and technology, as a primary productive force, is also the core competitiveness of an enterprise. Continuously strengthening the research and innovation of core technology for unceasing improvement, we adopt advanced production equipment and rigorous quality management to ensure every product given outstanding performance. Means of production are the symbol to show the development level of productive force. Sophisticated production equipment represents advanced productive force. HANNO introduced in advanced technological and production equipment to make the intrinsic quality and extrinsic character of product closely combined to well satisfy and lead the demands of industrial modernization.

每天前进一步，永远真诚服务，我们时刻准备着为您提供最为满意的服务。

Go forward one step every day, sincerely provide services forever. We are ready all the time to provide you with the most satisfactory services.

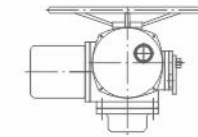
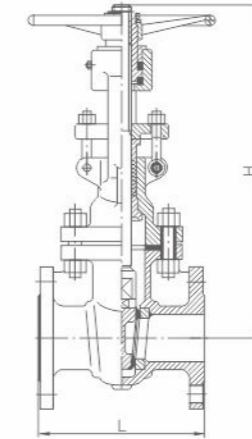


HANNO
恒诺阀门

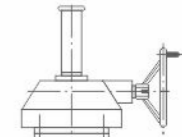
Contents 目录

美标闸阀 API GATE VALVE.....	01
德标闸阀 DIN GATE VALVE	02
俄标闸阀 GOST GATE VALVE.....	03
国标闸阀 GB GATE VALVE.....	04
德标软密封闸阀 DIN RESILIENT SOFT SEAT GATE VALVE.....	05
美标截止阀 API GLOBE VALVE.....	06
德标截止阀 DIN GLOBE VALVE.....	07
俄标截止阀 GOST GLOBE VALVE.....	08
国标截止阀 GB GLOBE VALVE.....	09
美标止回阀 API CHECK VALVE.....	10
德标止回阀 DIN CHECK VALVE.....	11
俄标止回阀 GOST CHECK VALVE.....	12
国标止回阀 GB CHECK VALVE.....	13
美标浮动球阀 API FLOATING BALL VALVE.....	14
美标铸钢固定球阀 API TRUNNION-MOUNTED BALL VALVE.....	15
美标锻钢固定球阀 API FORGED STEEL TRUNNION-MOUNTED BALL VALVE.....	16

美标闸阀 API GATE VALVE



Electric actuator



Gear box

规格Size	2"-48"
压力Pressure	Class150-Class1500
材质Material	WCB,LCB,LCC,WC6,WC9,C12,CF8,CF8M,CF3,CF3M

主要外形连接尺寸 Main external and connection dimension

150LB

in	2"	2 ¹ / ₂ "	3"	4"	5"	6"	8"	10"	12"	14"	16"	18"	20"	24"	26"	28"	30"	32"	36"	40"	42"	48"
L	178	191	203	229	254	267	292	330	356	381	406	432	457	508	559	610	610	660	711	762	787	864
H	325	350	380	460	630	652	765	895	1080	1295	1435	1625	1830	2175	2235	2310	2695	3708	3924	4318	4800	5900
W(kg)	18	26	32	45	65	78	120	198	270	400	490	610	780	1100	1610	1960	2500	2930	3400	4800	5300	7000

300LB

in	2"	2 ¹ / ₂ "	3"	4"	5"	6"	8"	10"	12"	14"	16"	18"	20"	24"	26"	28"	30"	32"	36"
L	216	241	283	305	381	403	419	457	502	762	838	914	991	1143	1245	1346	1397	1524	1727
H	330	370	395	470	660	715	815	1005	1135	1490	1580	2020	2230	2650	3220	3380	3530	3650	4100
W(kg)	24	32	50	75	100	150	230	340	500	650	950	1130	1600	2600	3050	3300	3530	4800	6900

600LB

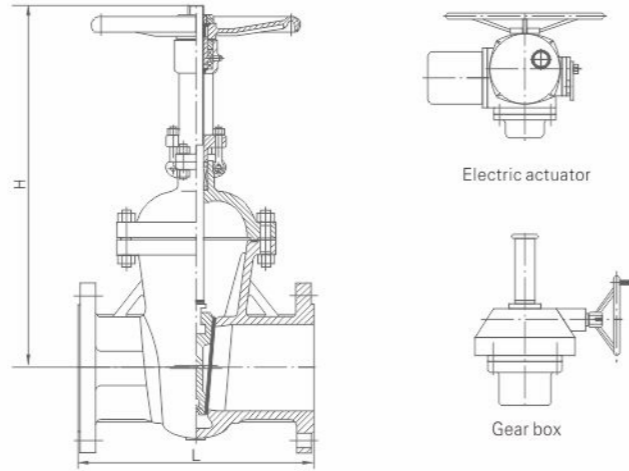
in	2"	2 ¹ / ₂ "	3"	4"	5"	6"	8"	10"	12"	14"	16"	18"	20"	24"
L	292	330	356	432	508	559	660	787	838	889	991	1092	1194	1397
H	428	485	510	610	700	820	920	1080	1220	1475	1650	1730	2020	2155
W(kg)	35	50	65	120	165	270	402	610	900	1250	1530	2030	2700	3600

900LB

in	2"	2 ¹ / ₂ "	3"	4"	5"	6"	8"	10"	12"	14"	16"	18"	20"	24"
L	368	419	381	457	559	610	737	838	965	1029	1130	1219	1321	1549
H	520	585	650	750	780	800	940	1130	1340	1900	2030	2200	2400	2700
W(kg)	75	92	100	170	335	470	640	1100	1350	2250	2850	3850	4850	6000

1500LB

in	2"	2 ¹ / ₂ "	3"	4"	5"	6"	8"	10"	12"	14"	16"
L	368	419	470	546	673	705	832	991	1130	1257	1344
H	495	570	600	700	980	1150	1400	1370	1600	1257	1384
W(kg)	85	130	160	195	660	700	1040	1900	2650	4100	6200



规格Size	DN50-DN1200
压力Pressure	PN10-PN250
材质Material	1.0619, 1.1138, 1.4306, 1.4308, 1.4408, 1.7706

主要外形连接尺寸 Main external and connection dimension
PN16

DN	40	50	65	80	100	125	150	200	250	300	350	400	450	500	600	700	800	900	1000	1200
L	240	250	270	280	300	325	350	400	450	500	550	600	650	700	800	900	1000	1100	1200	1400
H	350	360	375	430	500	610	670	810	970	1150	1280	1450	1540	1680	1870	2080	2400	2950	3240	3650
W(kg)	18	20	26	32	45	66	80	110	200	300	388	600	850	980	1500	2200	2700	3650	4900	7600

PN25

DN	40	50	65	80	100	125	150	200	250	300	350	400	450	500	600	700	800	900	1000	1200
L	240	250	270	280	300	325	350	400	450	500	550	600	650	700	800	900	1000	1100	1200	1400
H	350	360	375	430	500	610	670	810	970	1150	1280	1450	1540	1680	1870	2080	2400	2950	3240	3650
W(kg)	18	20	26	33	46	68	83	115	208	320	410	650	900	1050	1550	2350	2900	3900	5200	8000

PN40

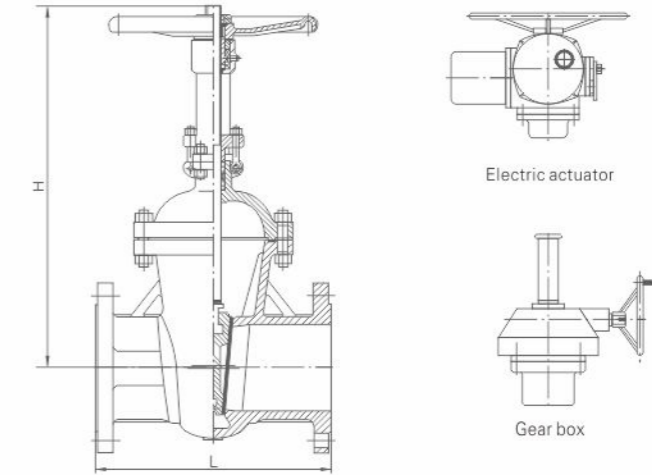
DN	40	50	65	80	100	125	150	200	250	300	350	400	450	500	600	700	800
L	240	250	280	310	350	400	450	550	650	750	850	950	1050	1150	1350	1550	1750
H	350	360	380	445	515	630	690	840	1010	1220	1360	1550	1600	1750	1950	2200	2580
W(kg)	18	20	28	40	55	95	110	200	280	400	700	1000	1200	1400	1900	3100	4200

PN64

DN	40	50	65	80	100	125	150	200	250	300	350	400	450	500	600	700	800
L	240	250	280	310	350	400	450	550	650	750	850	950	1050	1150	1350	1550	1750
H	350	360	380	445	515	630	690	840	1010	1220	1360	1550	1600	1750	1950	2200	2580
W(kg)	20	30	45	60	85	135	180	300	430	680	980	1250	1480	1650	2130	3500	5000

PN100

DN	40	50	65	80	100	125	150	200	250	300	350	400	450	500	600	700	800
L	240	250	280	310	350	400	450	550	650	750	850	950	1050	1150	1350	1550	1750
H	355	365	390	460	530	650	750	910	1070	1300	1450	1650	1680	1850	2030	2300	2700
W(kg)	28	43	58	75	100	155	250	410	560	820	1280	1530	1700	1900	2400	3900	6200



规格Size	DN50-DN1200
压力Pressure	PN16-PN250
材质Material	25L, 20GL, 1Cr18Ni9Ti, 1Cr18Ni10Mo2Ti

主要外形连接尺寸 Main external and connection dimension
PN16

DN	50	80	100	150	200	250	300	350	400	450	500	600	700	800	900	1000	1200
L	180	210	230	280	330	450	500	550	600	650	700	800	900	1000	1100	1200	1400
H	355	435	500	670	810	970	1150	1280	1450	1600	1680	1870	2080	2400	2950	3240	3650
W(kg)	16	28	40	70	100	190	265	400	600	850	950	1500	2200	2700	3650	4900	7600

PN25

DN	50	80	100	150	200	250	300	350	400	450	500	600	700	800	900	1000	1200
L	180	210	230	403	419	457	500	550	600	650	700	800	900	1000	1100	1200	1400
H	355	435	500	670	810	970	1150	1280	1450	1600	1680	1870	2080	2400	2950	3240	3650
W(kg)	16	29	42	90	120	205	280	430	650	900	1000	1550	2300	2800	3800	5100	7800

PN40

DN	50	80	100	150	200	250	300	350	400	450	500	600	700	800
L	250/216	310/283	350/305	450/403	550/419	650/457	750/502	850/762	950/838	1050/914	1150/991	1350/1143	1550/1346	1750/1524
H	370	460	535	705	840	1020	1200	1340	1500	1670	1800	2040	2350	2750
W(kg)	20	40	55	110	160	255	370	750	850	1100	1400	2100	2900	3600

PN63

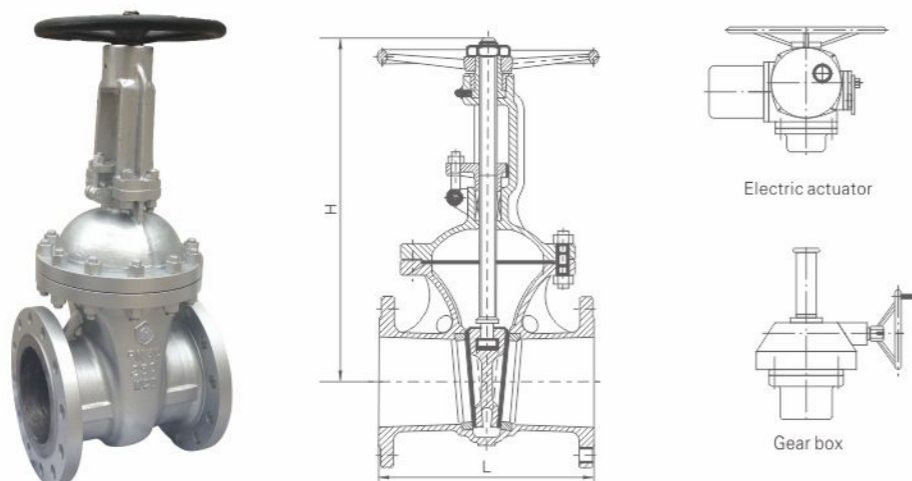
DN	50	80	100	150	200	250	300	400
L	267	318	356	444	533	622	711	864
H	370	460	535	705	840	1020	1200	1500
W(kg)	30	51	80	120	175	410	550	870

PN100

DN	50	80	100	150	200	250	300	400
L	289/267	353/318	429/356	556/444	657/533	784/622	835/711	988/864
H	370	460	535	705	840	1020	1200	1500
W(kg)	40	60	100	140	195	470	630	1030

PN160

DN	50	80	100	150	200	250	300	400
L	292	356	432	559	660	787	838	991
H	490	560	590	800	900	1130	1350	1650
W(kg)	55	110	160	375	730	1100	1500	2500



规格Size	DN40-DN1200
压力Pressure	PN10-PN320
材质Material	WCB,LCB,LCC,WC6,WC9,C12,CF8,CF8M,CF3,CF3M

主要外形连接尺寸 Main external and connection dimension

PN10

DN	40	50	65	80	100	125	150	200	250	300	350	400	450	500	600	700	800	900	1000	1200
L	165	180	195	210	230	255	280	330	380	420	450	480	510	540	600	660	720	780	840	960
H	345	355	370	430	490	600	650	800	950	1100	1200	1370	1500	1600	1790	1980	2300	2830	3100	3430
W(kg)	16	18	25	30	42	60	70	100	180	230	300	380	550	750	950	1600	2100	2800	3600	4800

PN16

DN	40	50	65	80	100	125	150	200	250	300	350	400	450	500	600	700	800	900	1000	1200
L	240	250	270	280	300	325	350	400	450	500	550	600	650	700	800	900	1000	1100	1200	1400
H	350	360	375	430	500	610	670	810	970	1150	1280	1450	1540	1680	1870	2080	2400	2950	3240	3650
W(kg)	18	20	26	32	45	66	80	110	200	300	388	600	850	980	1500	2200	2700	3650	4900	7600

PN25

DN	40	50	65	80	100	125	150	200	250	300	350	400	450	500	600	700	800	900	1000	1200
L	240	250	270	280	300	325	350	400	450	500	550	600	650	700	800	900	1000	1100	1200	1400
H	350	360	375	430	500	610	670	810	970	1150	1280	1450	1540	1680	1870	2080	2400	2950	3240	3650
W(kg)	18	20	26	33	46	68	83	115	208	320	410	650	900	1050	1550	2350	2900	3900	5200	8000

PN40

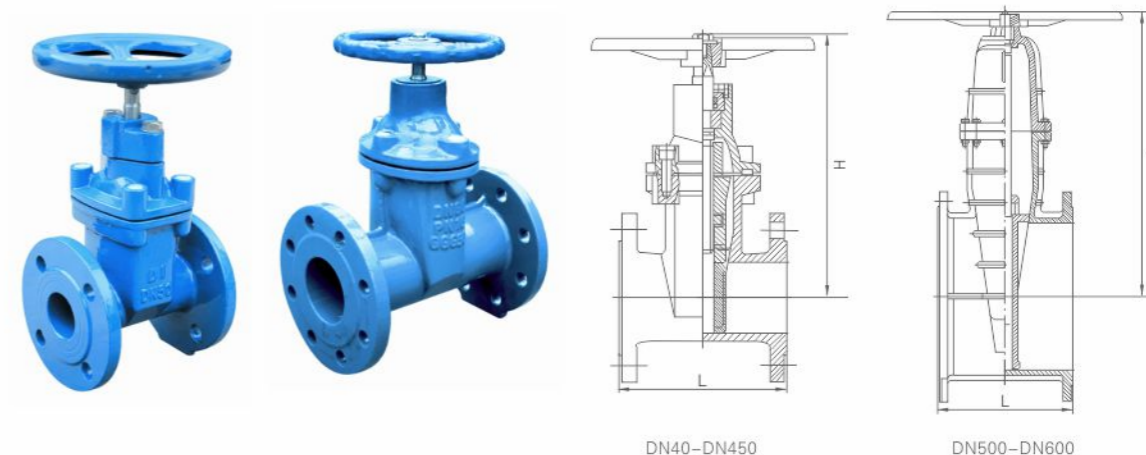
DN	40	50	65	80	100	125	150	200	250	300	350	400	450	500	600	700	800
L	240	250	280	310	350	400	450	550	650	750	850	950	1050	1150	1350	1550	1750
H	350	360	380	445	515	630	690	840	1010	1220	1360	1550	1600	1750	1950	2200	2580
W(kg)	18	20	28	40	55	95	110	200	280	400	700	1000	1200	1400	1900	3100	4200

PN64

DN	40	50	65	80	100	125	150	200	250	300	350	400	450	500	600	700	800
L	240	250	280	310	350	400	450	550	650	750	850	950	1050	1150	1350	1550	1750
H	350	360	380	445	515	630	690	840	1010	1220	1360	1550	1600	1750	1950	2200	2580
W(kg)	20	30	45	60	85	135	180	300	430	680	980	1250	1480	1650	2130	3500	5000

PN100

DN	40	50	65	80	100	125	150	200	250	300	350	400	450	500	600	700	800
L	240	250	280	310	350	400	450	550	650	750	850	950	1050	1150	1350	1550	1750
H	355	365	390	460	530	650	750	910	1070	1300	1450	1650	1680	1850	2030	2300	2700
W(kg)	28	43	58	75	100	155	250	410	560	820	1280	1530	1700	1900	2400	3900	6200



规格Size	DN50-DN1200
压力Pressure	PN10-PN25
材质Material	GGG40,GGG50,WCB

主要外形连接尺寸 Main external and connection dimension

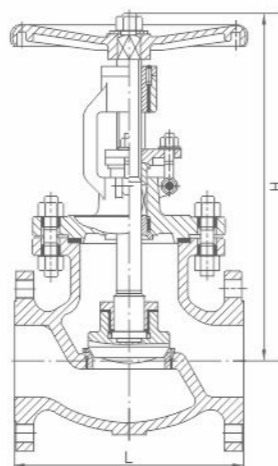
DIN3352-F4 RESILIENT SOFE SEAT GATE VALVE PN10/PN16

DN	40	50	65	80	100	125	150	200	250	300	350	400	450	500	600
L	140	150	170	180	190	200	210	230	250	270	290	310	330	350	390
H	203	223	248	274	307	362	400	487	573	661	733	810	889	968	1128
W(kg)	11	12	15	18	23	36	44	68	96	140	180	225	320	470	665

主要外形连接尺寸 Main external and connection dimension

DIN3352-F5 RESILIENT SOFE SEAT GATE VALVE PN10/PN16

DN	40	50	65	80	100	125	150	200	250	300	350	400	450	500	600
L	240	250	270	280	300	325	350	400	450	500	550	600	650	700	800
H	203	223	248	274	307	362	400	487	573	661	733	810	889	968	1128
W(kg)	12	14	17	20	25	39	48	75	108	160	230	285	390	510	710



规格Size	2"-16"
压力Pressure	Class150-Class1500
材质Material	WCB,LCB,LCC,WC6,WC9,C12,CF8,CF8M,CF3,CF3M

主要外形连接尺寸 Main external and connection dimension

150LB

in	2"	2 ¹ / ₂ "	3"	4"	5"	6"	8"	10"	12"	14"	16"
L	203	216	241	292	356	400	495	622	698	787	914
H	365	370	400	480	500	525	590	740	860	950	1000
W(kg)	21	28	35	55	75	90	160	210	480	550	720

300LB

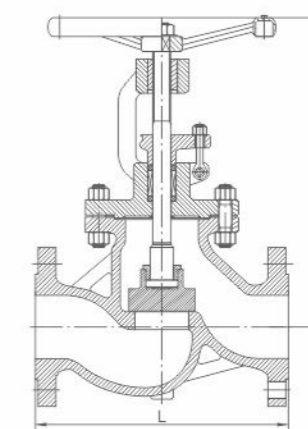
in	2"	2 ¹ / ₂ "	3"	4"	5"	6"	8"	10"	12"	14"	16"
L	267	292	318	356	400	444	559	622	711	838	864
H	370	380	420	500	580	675	900	950	1030	1150	1350
W(kg)	26	36	50	75	120	165	285	480	700	1100	1600

600LB

in	2"	2 ¹ / ₂ "	3"	4"	5"	6"	8"	10"	12"
L	295	333	359	435	511	562	663	790	838
H	400	440	490	590	700	780	1000	1150	1380
W(kg)	37	50	60	150	180	290	540	990	1350

900LB

in	2"	2 ¹ / ₂ "	3"	4"	5"	6"	8"	10"	12"
L	368	419	381	457	559	610	737	838	965
H	585	650	680	795	950	1100	1160	1450	1750
W(kg)	95	135	145	197	340	435	720	1070	1920



规格Size	DN40-DN300
压力Pressure	PN16-PN100
材质Material	1.0619, 1.1138, 1.4306, 1.4308, 1.4408, 1.7706

主要外形连接尺寸 Main external and connection dimension

PN16

DN	40	50	65	80	100	125	150	200	250	300
L	200	230	290	310	350	400	480	600	730	850
H	320	350	370	400	415	460	510	710	785	925
W(kg)	20	22	28	40	52	80	95	130	230	350

PN25

DN	40	50	65	80	100	125	150	200	250	300
L	200	230	290	310	350	400	480	600	730	850
H	320	350	400	355	415	460	510	710	785	925
W(kg)	20	22	28	40	54	83	100	135	245	365

PN40

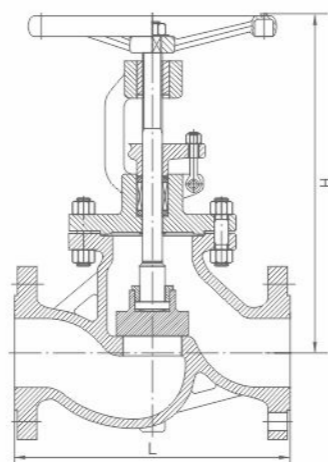
DN	40	50	65	80	100	125	150	200	250	300
L	200	230	290	310	350	400	480	600	730	850
H	312	375	410	435	480	590	610	720	780	830
W(kg)	16	22	29	40	56	86	110	160	280	420

PN64

DN	50	65	80	100	125	150	200	250	300
L	300	340	380	430	500	550	650	775	900
H	410	450	485	540	630	645	815	870	920
W(kg)	30	41	55	80	125	200	320	480	700

PN100

DN	50	65	80	100	125	150	200	250
L	300	340	380	430	500	550	650	775
H	415	435	545	620	735	840	925	1006
W(kg)	32	43	58	85	130	220	350	500



规格Size	DN40-DN300
压力Pressure	PN16-PN100
材质Material	25L, 20GL, 1Cr18Ni9Ti, 1Cr18Ni10Mo2Ti

主要外形连接尺寸 Main external and connection dimension

PN16

DN	40	50	65	80	100	125	150	200	250	300
L	200	230	290	310	350	400	480	600	730	850
H	320	350	370	400	415	460	510	710	785	925
W(kg)	20	22	28	40	52	80	95	130	230	350

PN25

DN	40	50	65	80	100	125	150	200	250	300
L	200	230	290	310	350	400	480	600	730	850
H	320	350	400	355	415	460	510	710	785	925
W(kg)	20	22	28	40	54	83	100	135	245	365

PN40

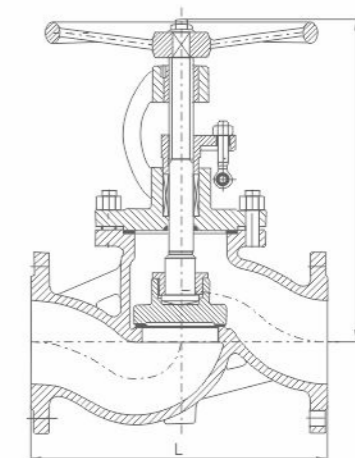
DN	40	50	65	80	100	125	150	200	250	300
L	200	230	290	310	350	400	480	600	730	850
H	312	375	410	435	480	590	610	720	780	830
W(kg)	16	22	29	40	56	86	110	160	280	420

PN64

DN	50	65	80	100	125	150	200	250	300
L	300	340	380	430	500	550	650	775	900
H	410	450	485	540	630	645	815	870	920
W(kg)	30	41	55	80	125	200	320	480	700

PN100

DN	50	65	80	100	125	150	200	250
L	300	340	380	430	500	550	650	775
H	415	435	545	620	735	840	925	1006
W(kg)	32	43	58	85	130	220	350	500



规格Size	DN40-DN300
压力Pressure	PN16-PN100
材质Material	WCB, LCB, LCC, WC6, WC9, C12, CF8, CF8M, CF3, CF3M

主要外形连接尺寸 Main external and connection dimension

PN16

DN	40	50	65	80	100	125	150	200	250	300
L	200	230	290	310	350	400	480	600	730	850
H	320	350	370	400	415	460	510	710	785	925
W(kg)	20	22	28	40	52	80	95	130	230	350

PN25

DN	40	50	65	80	100	125	150	200	250	300
L	200	230	290	310	350	400	480	600	730	850
H	320	350	400	355	415	460	510	710	785	925
W(kg)	20	22	28	40	54	83	100	135	255	365

PN40

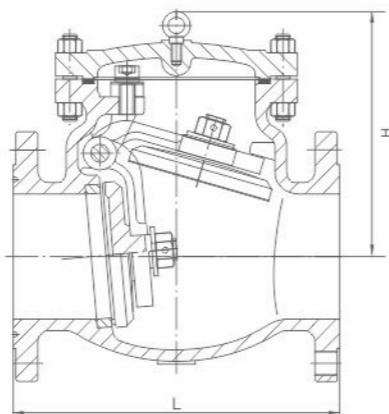
DN	40	50	65	80	100	125	150	200	250	300
L	200	230	290	310	350	400	480	600	730	850
H	320	350	400	355	415	560	510	700	975	1115
W(kg)	20	22	29	42	56	86	120	165	280	430

PN64

DN	40	50	65	80	100	125	150	200	250	300
L	260	300	340	380	430	500	550	650	775	900
H	360	41	450	485	537	646	840	925	1015	1200
W(kg)	19	25	35	48	56	125	157	265	480	650

PN100

DN	40	50	65	80	100	125	150	200	250	300
L	260	300	340	380	430	500	550	650	775	900
H	360	41	450	485	537	646	840	925	1015	1200
W(kg)	30	40	68	92	107	260	310	590	850	1040



规格Size	2"-24"
压力Pressure	Class150-Class1500
材质Material	WCB,LCB,LCC,WC6,WC9,C12,CF8,CF8M,CF3,CF3M

主要外形连接尺寸 Main external and connection dimension

150LB

in	2"	2 1/2"	3"	4"	5"	6"	8"	10"	12"	14"	16"	18"	20"	24"
L	203	216	241	292	330	356	495	622	699	787	864	978	978	1295
H	150	165	170	200	230	290	350	340	435	470	520	580	620	880
W(kg)	15	22	28	40	55	75	120	180	280	370	520	650	880	1000

300LB

in	2"	2 1/2"	3"	4"	5"	6"	8"	10"	12"	14"	16"	18"	20"	24"
L	267	292	318	356	400	444	533	622	711	838	846	978	1016	1346
H	180	190	215	260	305	320	380	430	510	560	600	670	730	880
W(kg)	20	30	40	65	85	125	200	305	450	598	820	950	1350	1950

600LB

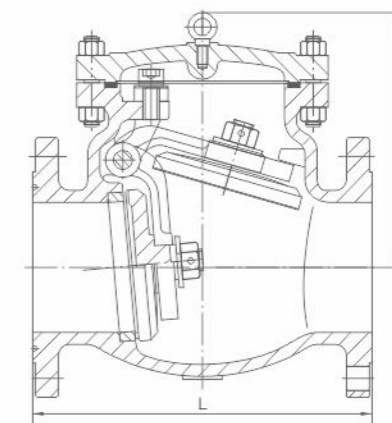
in	2"	2 1/2"	3"	4"	5"	6"	8"	10"	12"	14"	16"
L	295	333	359	435	511	562	663	791	841	892	994
H	205	230	235	290	300	380	430	520	580	630	700
W(kg)	30	43	55	95	160	210	340	550	720	890	1350

900LB

in	2"	2 1/2"	3"	4"	5"	6"	8"	10"	12"
L	371	422	384	460	562	613	740	841	968
H	300	320	330	350	380	460	500	660	780
W(kg)	70	100	115	150	245	305	510	810	1150

1500LB

in	2"	2 1/2"	3"	4"	5"	6"	8"	10"	12"
L	371	422	473	549	676	711	842	1000	1146
H	300	330	350	395	440	500	650	720	900
W(kg)	70	100	150	250	370	450	1010	1450	2200



规格Size	DN50-DN600
压力Pressure	PN10-PN250
材质Material	1.0619, 1.1138, 1.4306, 1.4308, 1.4408, 1.7706

主要外形连接尺寸 Main external and connection dimension

PN16

DN	50	65	80	100	125	150	200	250	300	350	400	450	500	600
L	230	290	310	350	400	480	600	730	850	980	1100	1200	1250	1450
H	140	148	175	190	210	235	308	350	390	430	468	495	530	615
W(kg)	12	19	25	35	49	76	108	185	310	400	450	-	830	1300

PN25

DN	50	65	80	100	125	150	200	250	300	350	400	450	500	600
L	230	290	310	350	400	480	600	730	850	980	1100	1200	1250	1450
H	150	162	180	202	215	245	315	360	395	438	473	505	542	628
W(kg)	12	19	25	35	49	76	108	185	310	400	450	-	830	1300

PN40

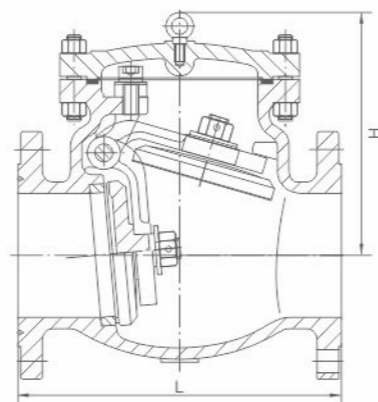
DN	50	65	80	100	125	150	200	250	300	350	400	450	500
L	230	290	310	350	400	480	600	730	850	980	1100	1200	1250
H	160	175	185	220	250	270	350	410	430	520	560	590	620
W(kg)	13	20	26	39	62	88	135	200	350	430	530	-	950

PN64

DN	50	65	80	100	125	150	200	250	300	350	400
L	300	340	380	430	500	550	650	775	900	1025	1150
H	178	198	215	250	295	330	385	445	475	515	615
W(kg)	32	41	49	68	100	139	225	311	580	-	-

PN100

DN	50	65	80	100	125	150	200	250	300	350	400
L	300	340	380	430	500	550	650	775	900	1025	1150
H	210	225	275	308	345	405	435	485	505	548	632
W(kg)	33	45	56	74	110	156	240	325	650	-	-



规格Size	DN50-DN600
压力Pressure	PN10-PN250
材质Material	25L, 20GL, 1Cr18Ni9Ti, 1Cr18Ni10Mo2Ti

主要外形连接尺寸 Main external and connection dimension
PN16

DN	50	65	80	100	125	150	200	250	300	350	400	450	500	600
L	230	290	310	350	400	480	600	730	850	980	1100	1200	1250	1450
H	140	148	175	190	210	235	308	350	390	430	468	495	530	615
W(kg)	12	19	25	35	49	76	108	185	310	400	450	-	830	1300

PN25

DN	50	65	80	100	125	150	200	250	300	350	400	450	500	600
L	230	290	310	350	400	480	600	730	850	980	1100	1200	1250	1450
H	150	162	180	202	215	245	315	360	395	438	473	505	542	628
W(kg)	12	19	25	35	49	76	108	185	310	400	450	-	830	1300

PN40

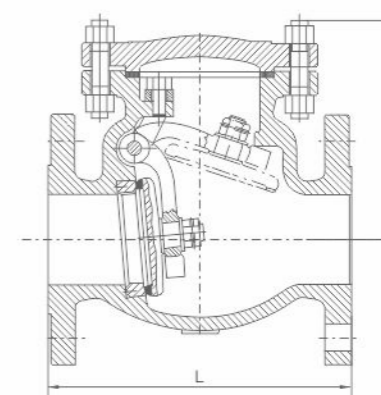
DN	50	65	80	100	125	150	200	250	300	350	400	450	500
L	230	290	310	350	400	480	600	730	850	980	1100	1200	1250
H	160	175	185	220	250	270	350	410	430	520	560	590	620
W(kg)	13	20	26	39	62	88	135	200	350	430	530	-	950

PN63

DN	50	65	80	100	125	150	200	250	300	350	400
L	300	340	380	430	500	550	650	775	900	1025	1150
H	178	198	215	250	295	330	385	445	475	515	615
W(kg)	32	41	49	68	100	139	225	311	580	-	-

PN100

DN	50	65	80	100	125	150	200	250	300	350	400
L	300	340	380	430	500	550	650	775	900	1025	1150
H	210	225	275	308	645	405	435	485	505	548	632
W(kg)	33	45	56	74	110	156	240	325	650	-	-



规格Size	DN50-DN600
压力Pressure	PN10-PN250
材质Material	WCB, LCB, LCC, WC6, WC9, C12, CF8, CF8M, CF3, CF3M

主要外形连接尺寸 Main external and connection dimension
PN16

DN	50	65	80	100	125	150	200	250	300	350	400	450	500	600
L	230	290	310	350	400	480	600	730	850	980	1100	1200	1250	1450
H	140	150	180	195	215	240	310	360	400	450	480	510	550	650
W(kg)	15	20	26	35	49	73	108	185	310	400	450	620	830	1300

PN25

DN	50	65	80	100	125	150	200	250	300	350	400	450	500	600
L	230	290	310	350	400	480	600	730	850	980	1100	1200	1250	1450
H	140	150	180	195	215	240	310	360	400	450	480	510	550	650
W(kg)	15	20	26	36	50	75	115	195	325	420	480	650	900	1400

PN40

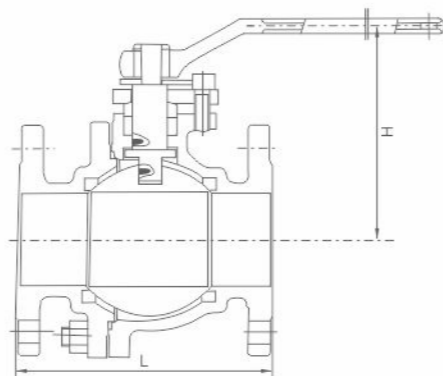
DN	50	65	80	100	125	150	200	250	300	350	400	450	500	600
L	230	290	310	350	400	480	600	730	850	980	1100	1200	1250	1450
H	140	150	180	200	220	255	340	400	440	480	580	630	720	850
W(kg)	15	20	28	40	55	80	130	220	350	450	550	700	1100	1800

PN64

DN	50	65	80	100	125	150	200	250	300	350	400	450	500	600
L	300	340	380	430	500	550	650	775	900	1025	1150	1275	1400	1650
H	192	207	215	235	265	297	357	405	465	514	568	620	830	950
W(kg)	29	38	45	70	102	150	205	325	467	608	875	1012	1600	2250

PN100

DN	50	65	80	100	125	150	200	250	300	350	400	450	500	600
L	300	340	380	430	500	550	650	775	900	1025	1150	1275	1400	1650
H	210	227	235	274	307	347	402	432	484	514	568	620	830	950
W(kg)	30	41	52	78	119	161	216	473	737	670	965	1115	1760	2500



规格Size	1/2"-12"
压力Pressure	Class150-Class600
材质Material	WCB,LCB, ,CF8,CF8M
驱动Operate	手柄, 涡轮, 电动, 气动Level, Gear box, Electric actuator, Pneumatic

主要外形连接尺寸 Main external and connection dimension

150LB

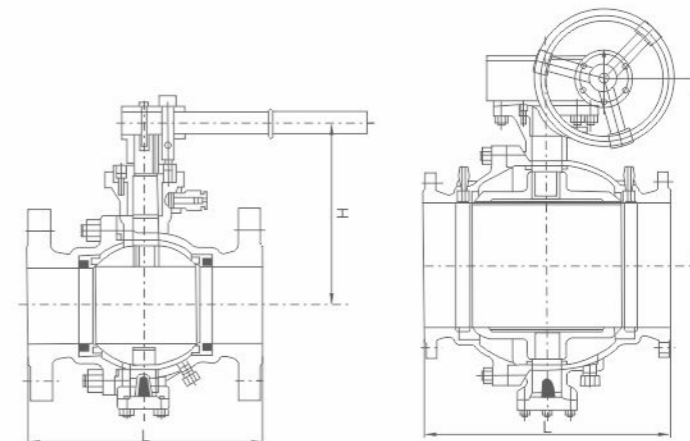
in	1/2"	3/4"	1"	1 1/4"	1 1/2"	2"	2 1/2"	3"	4"	5"	6"	8"	10"
L	108	117	127	140	165	178	190	203	229	356	394	457	533
H	59	63	75	150	97	107	142	152	178	252	272	342	345
W(kg)	2.3	3.0	4.5	9	7.0	9.5	15	19	33	58	93	160	200

300LB

in	1/2"	3/4"	1"	1 1/4"	1 1/2"	2"	2 1/2"	3"	4"	5"	6"	8"	10"
L	140	152	165	178	190	216	241	283	305	381	403	502	568
H	90	95	105	150	135	140	155	185	210	275	305	355	345
W(kg)	2.5	3.5	5.5	10	10.5	14.5	23.5	30	55	81	118	200	250

600LB

in	1/2"	3/4"	1"	1 1/4"	1 1/2"	2"	2 1/2"	3"	4"	5"	6"
L	190	203	216	229	241	292	330	356	432	508	559
H	105	125	135	150	165	175	200	210	250	295	340
W(kg)	3.1	4.9	7.2	8.7	12.1	16.7	28.2	36	66	98	142



规格Size	2"-40"
压力Pressure	Class150-Class1500
材质Material	WCB,LCB, ,CF8,CF8M
驱动Operate	手柄, 涡轮, 电动, 气动Level, Gear box, Electric actuator, Pneumatic

主要外形连接尺寸 Main external and connection dimension

150LB

in	2"	2 1/2"	3"	4"	5"	6"	8"	10"	12"	14"	16"	18"	20"	24"	28"	32"	36"	40"
L	216	241	283	305	356	394	457	533	610	686	762	864	914	1067	1245	1372	1524	1753
H	107	125	152	178	300	330	398	495	495	625	670	698	840	1050	1100	1150	1247	1374
W(kg)	12	16	22	35	58	74	205	322	322	576	864	1280	1600	3540	4500	5940	7540	9320

300LB

in	2"	2 1/2"	3"	4"	5"	6"	8"	10"	12"	14"	16"	18"	20"	24"	28"	32"	36"	40"
L	216	241	283	305	381	403	502	568	648	762	838	914	991	1143	1346	1524	1727	1880
H	107	125	152	178	300	330	398	495	580	625	670	698	840	1050	1100	1150	1247	1374
W(kg)	15	24	30	55	87	118	255	370	533	640	1030	1542	2100	4200	5300	7860	8684	10300

400LB

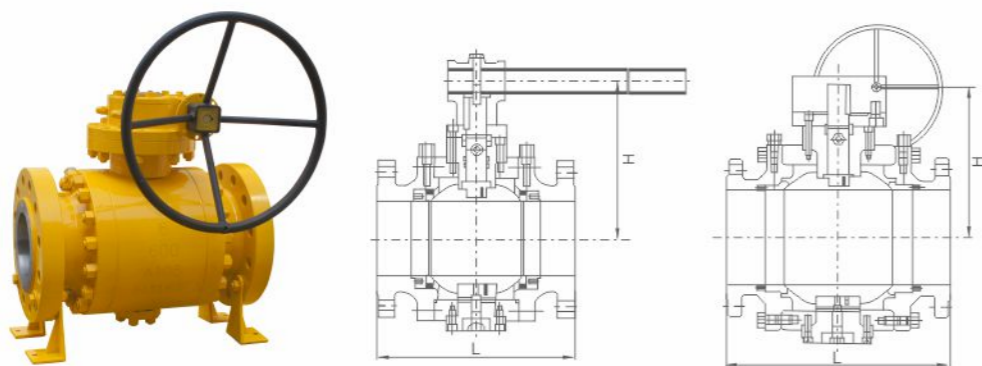
in	2"	3"	4"	6"	8"	10"	12"	14"	16"	18"	20"
L	295	359	410	498	600	676	765	829	905	978	1060
H	180	200	210	290	320	380	430	450	550	580	630
W(kg)	41	72	108	232	345	480	630	870	1950	2800	3250

600LB

in	2"	2 1/2"	3"	4"	5"	6"	8"	10"	12"	14"	16"	18"	20"	24"	28"
L	292	330	356	432	508	559	660	787	838	889	991	1092	1194	1397	1549
H	108	155	197	235	266	300	374	445	512	550	615	695	810	1010	1180
W(kg)	35	38	55	102	165	232	390	710	960	1700	1970	2480	3250	5800	6700

900LB

in	2"	2 1/2"	3"	4"	5"	6"	8"	10"	12"	14"	16"	18"	20"	24"
L	368	419	381	457	559	610	737	838	965	1029	1130	1219	1321	1549
H	126	158	191	216	238	270	394	502	572	675	762	866	894	956
W(kg)	50	60	80	125	205	270	-	-	-	-	-	-	-	-



规格Size	2"-40"
压力Pressure	Class150-Class2500
材质Material	A105, F304, F316
驱动Operate	手柄, 涡轮, 电动, 气动Level, Gear box, Electric actuator, Pneumatic

主要外形连接尺寸 Main external and connection dimension
150LB

in	2"	3"	4"	6"	8"	10"	12"	14"	16"	18"	20"
L	216	283	305	394	457	533	610	686	762	846	914
H	165	190	200	270	300	380	420	450	530	560	605
W(kg)	24	50	75	195	280	440	570	800	1480	2350	2400

300LB

in	2"	3"	4"	6"	8"	10"	12"	14"	16"	18"	20"
L	216	283	305	403	502	568	648	762	838	914	991
H	165	190	200	270	300	380	420	450	530	560	605
W(kg)	30	58	95	210	318	440	575	800	1840	2700	2890

400LB

in	2"	3"	4"	6"	8"	10"	12"	14"	16"	18"	20"
L	295	359	410	498	600	676	765	829	905	978	1060
H	180	200	210	290	320	380	430	450	550	580	630
W(kg)	41	72	108	232	345	480	630	870	1950	2800	3250

600LB

in	2"	3"	4"	6"	8"	10"	12"	14"	16"	18"	20"
L	292	356	432	559	660	787	838	889	991	1092	1194
H	180	200	210	290	320	380	430	450	550	580	630
W(kg)	41	72	108	232	345	480	630	870	1950	2800	3250

900LB

in	2"	3"	4"	6"	8"	10"	12"	14"	16"	18"	20"
L	368	381	457	610	737	838	965	1029	1130	1219	1334
H	190	200	230	300	375	420	460	530	600	640	700
W(kg)	50	80	170	390	640	970	1550	2150	3320	4520	5320

1500LB

in	2"	3"	4"	6"	8"	10"	12"	14"	16"	20"
L	368	470	546	705	832	991	1130	1257	1384	1664
H	200	220	250	320	400	450	490	560	640	790
W(kg)	55	95	180	580	920	1850	2150	3820	5320	6850

